

Ink-Jet

I-Mark™ SX 7/16

The flexible marking system.

Introducing a new generation of user friendly ink-jet printers

Icon-based user interface

Fast and easy to learn and operate

Print on porous surfaces

Environmentally safe, water-based inks

Choose from one or two line models

Affordability without sacrificing reliability

The I-Mark SX 7/16 is a powerful and flexible solution for porous marking applications. Available in two configurations: the SX-7 model for single-line printing, and the SX-16 model for a two-line solution. These are Matthews most flexible, most economical coders.

Simple: Each system is supplied complete, ready to set into the production line within minutes. The controller, printhead, and ink system are integral in one convenient, compact unit right out of the box. Simply plug in the power supply and ink supply to begin. The easy mount, SX printer takes up very little space on the production line, and can quickly be changed from printing onto the side of a product, to printing down onto the top of the product, without any additional parts.

The I-Mark SX 7/16 is not only easy to install and start up, it is also very simple to use, as it features an icon-based menu structure, which gives a good overview of different functions of the printer. Icons for message retrieval, message creation, and printer set-up are incredibly easy to navigate. Functional hot keys, on the controller provide operators with a simple way to select and change a portion of the message, saving time and minimizing errors.

Matthews Marking Products



*Ink-Jet Printing
Contact Printing
Indenting
Etching
Inks
Integrated Solutions*



Product names, production information, real time or date codes, production counts, and even some pre-loaded graphics are quick and easy to program.

Flexible: Character sizes can range from 3/8" (10mm) to 1/2" (13mm) with the SX-7, and from 3/8" (10mm) to 1-1/4" (32mm) with the SX-16, resulting in one or two lines, and a broad range of font sizes. The pressurized ink canister eliminates the need for an external ink pump. A low level ink warning prompts the operator to replenish ink well in advance of an out of ink situation.

Reliable: The most important component of the system is Matthews renowned Drop-on-Demand® valve printhead technology. Proven to be reliable, low maintenance, and durable. Low ink consumption provides a secondary cost savings benefit over and above the low priced system.



Technical Specs SX 7/16

System Components

- Unit with built in keyboard and printhead
- 4 line back lit 128 x 64 graphical display
- 7 valve or 16 valve printhead model
- Power supply and cable 90-264V, 50/60 Hz
- Mounting post and brackets
- Start up supply of ink and cleaner
- Instruction manual

Print Heights and Fonts

SX-7

- 5 X 5 font – 3/8" characters (10mm)
- 7 X 5 font – 1/2" characters (13mm)

SX-16

- 5 X 5 font – 3/8" characters (10mm)
- 7 X 5 font – 1/2" characters (13mm)
- 9 X 7 font – 3/4" characters (19mm)
- 14 X 10 font – 1-1/8" characters (28mm)
- 16 X 10 font- 1-1/4" characters (32mm)

Character formats

- Bold • Reversed • Inverted • Negative

Software Functions

- Time and date codes
- Expiration dates, shift codes
- Alphanumeric counters, batch codes
- Automatic speed and print detection
- Pre-loaded graphics (SX-16)
- 3 levels of password protection

Message Storage

- Number of messages - 100
- Message length - 2000 columns

Print Speed

- Line speed up to 200 fpm (60 meters/min)

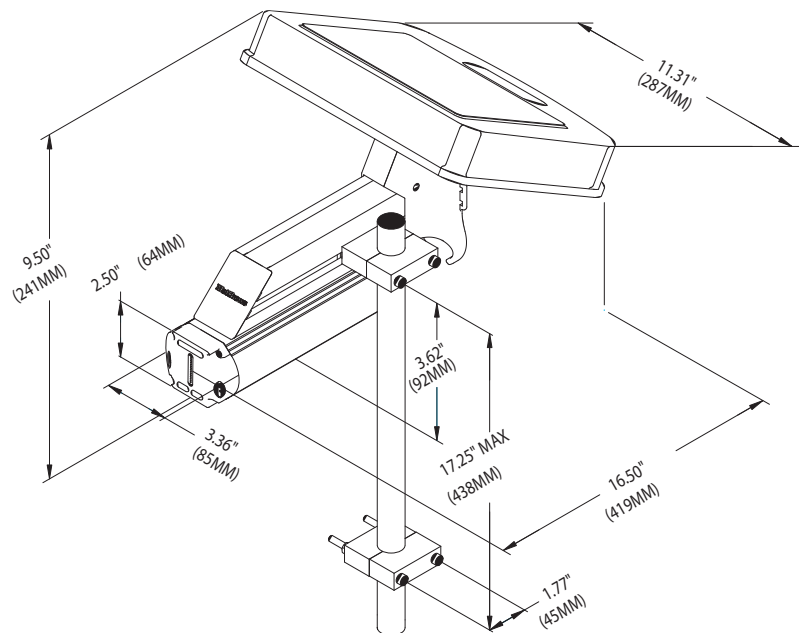
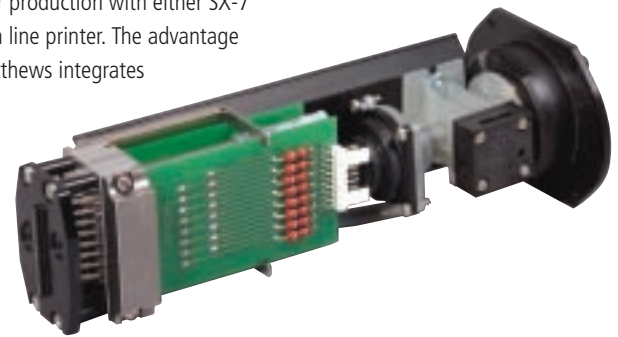
Hot Keys

- Start, stop, print-blinking indicator
- Message selection
- Edit user text
- Edit user counter

| PRINTHEAD | 7V SYSTEM | 16V SYSTEM |
|--------------------|---|------------|
| NO. OF LINES | One | One or two |
| OPERATOR INTERFACE | Icon based, monochrome | |
| PRINT DIRECTION | Bi-directional | |
| MESSAGE ATTRIBUTES | Global settings, dot size, spacing, margins | |
| LANGUAGE | English, Swedish, Spanish, German, Italian, Dutch, Czech, Polish, Turkish | |

Reliable

Configure the right solution for your production with either SX-7 single line printer, or the SX-16 twin line printer. The advantage to you is the printhead design. Matthews integrates our standard, quality-built, superior, Drop-On-Demand® valve printhead into this economical, easy to use solution. With a unique plunger design and quick flush function, the heads are designed to last longer, even in harsh environments



Matthews Marking Products continually improves products. The right, therefore, is reserved to alter the design and/or specifications without giving prior notice.

Matthews Marking Products

Matthews Marking Products

6515 Penn Avenue, Pittsburgh, PA 15206
(412) 665-2500 • Fax: (412) 365-2042

Gamlestadsvägen 8, S-415 02 Göteborg, Sweden
(46) (31) 338 7900 • Fax: (46) (31) 84 51 17

Sold and Distributed Worldwide

